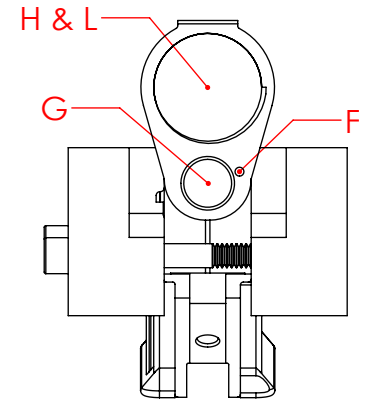
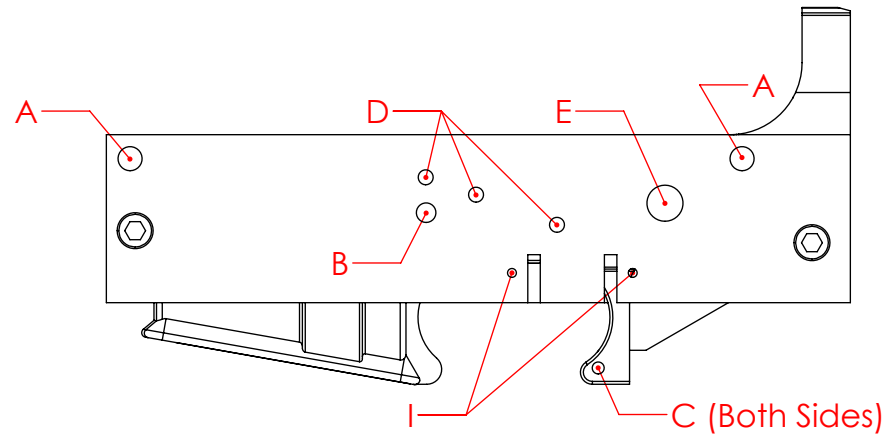
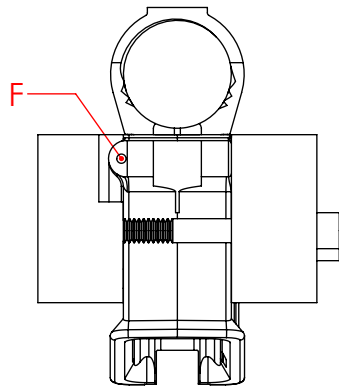
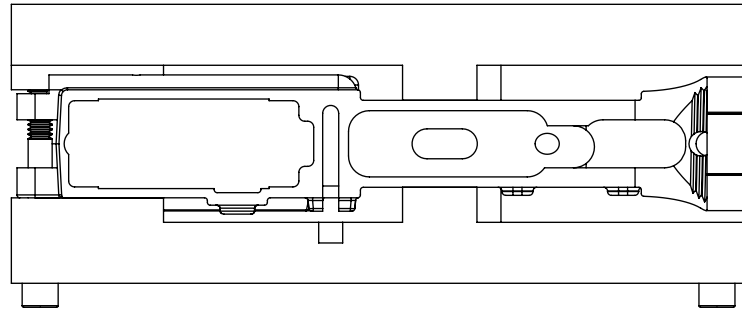


Hole Size Diagram

CNC Gunsmithing
www.cncguns.com



A	1/4 Drill
B	13/64 Drill
C	1/8 Drill
D	5/32 Drill
E	3/8 Drill
F	#40 Drill
G	1/2 Drill
H	1 1/8 Drill
I	#42 Aircraft Ext. Drill
J	#3 Drill
K	1/4 - 28 Tap
L	1 3/16 - 16 Tap

